



SAVES TIME AND MONEY

Many parts in this vacuum tumbler are easily disassembled with no tools, reducing the time spent on cleaning and maintenance cost.



HYGIENIC

Its stainless steel construction makes the equipment hygienic, corrosion resistant, easy to clean, allowing for an excellent presentation.



LONG LIFE WITH MINIMUM MAINTENANCE

Motor and vacuum pump are dependable and minimum maintenance for years of trouble-free operation.

Specifications:	
	MV-25
Motor Capacity	0.2 HP. / 0.14
Voltage	127 / 220 V
Frequency	50 / 60 Hz
Pump capacity	35 liters/min.
Tumbler Capacity	25 kg / 50 lbs
Tumbler speed	6 RPM
Net weight	20.5 Kg. / 45 Lb.
Shipping weight	25 Kg. / 55 Lb.

EASY TO DISASSEMBLE MIXING PADDLES

Mixing paddles can be removed for cleaning quick and easily.



EASY TO OPERATE VALVE

Removes the lid and opens the valve to release the vacuum inside the tumbler.



DIGITAL TIMER

Easy to program digital timer. Displays the cycle time or program your own operation time.



VACUUM INDICATOR

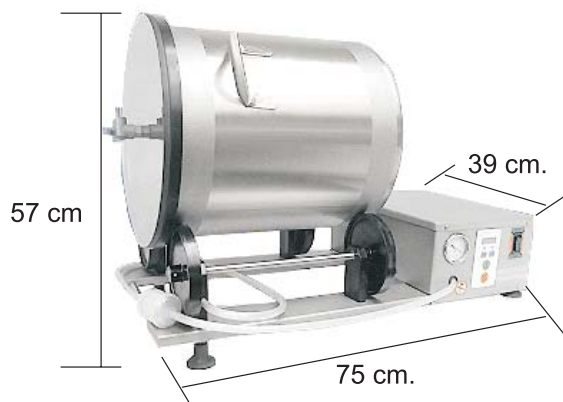
Easy to read vacuum indicator to control the vacuum sucking.

25 KG TUMBLER CAPACITY

Tumbler marinates batches up to 25 kg.



DIMENSIONS



DISTRIBUTED BY



ALL INFORMATION IS SUBJECT TO CHANGE WITHOUT NOTICE